

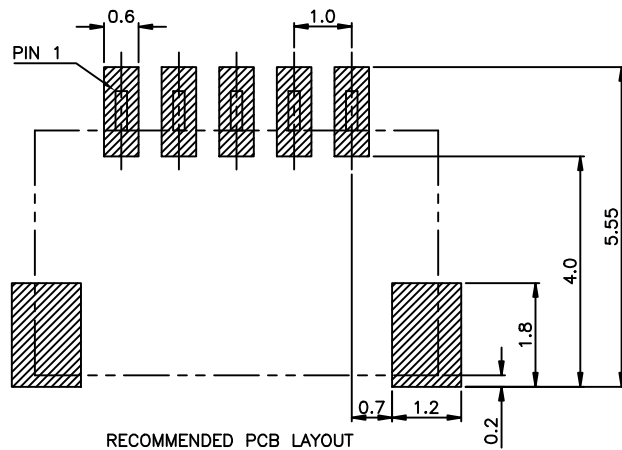
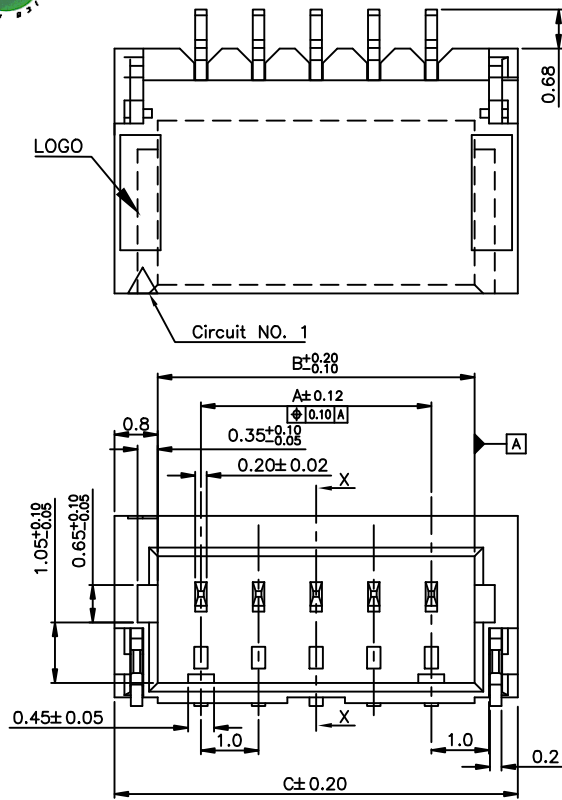
- NOTES:
- MATERIAL:
    - HOUSING: HALOGEN FREE PLASTIC, HIGH TEMP.,UL94V-0.
    - CONTACT: COPPER ALLOY
    - FITTING NAIL: COPPER ALLOY
  - FINISH:
    - CONTACT: 50~100u" NICKEL UNDERPLATING OVERALL.
      - GOLD FLASH PLATING(1~3u") OVERALL.
      - N:100~200u" MATT TIN PLATING ON SOLDER TAILS,
      - L:100~200u" PURE TINPLATING OVERALL.
      - 8:120u" MIN. Pure-Tin ON SOLDER TAIL,4u" GOLD
      - C:15u" GOLD ON CONTACT FAR LEAD FREE ON CONTACT AREA
      - T:120~170u" NICKEL UNDER OVERALL AND 10u" GOID ON CONTACT
      - B:5u" GOLD ON CONTACT AREA,1u" MIN GOLD ON SOLDER AREA
      - M:3u" GOLD ON CONTACT AREA,3u" MIN GOLD ON SOLDER AREA
      - S:15u" GOLD ON CONTACT AREA,1u" MIN GOLD ON SOLDER AREA
      - D:30u" GOLD ON CONTACT AREA,GOLD FLASH ON SOLDER AREA
    - FITTING NAIL: 50~100u" NICKEL UNDERPLATING OVERALL.
    - G:GOLD FLASH PLATING(1~3u") OVERALL.
    - N:100~200u" MATT TIN PLATING ON SOLDER TAILS,
    - L:100~200u" PURE TINPLATING OVERALL.
  - REFLOW SOLDER CAPABLE TO 260°C PER ACES SPEC.
  - SPEC. PLS. REFER TO PS-50224-xxxx-xxx
  - PACKAGE PLS. REFER TO 87213-XXXX-xxx-TRP & 50224-XXXX-AXX-TRP & 50224-XXXX-XXX-TRP

6. PART NUMBER  
P/N LEGEND
- 50224-XXX X X - XXX
- NO OF CKT
- PACKING  
0:TAPE & REEL  
1:TUBE
- PLATING  
L:LEAD FREE(PURE TIN)  
1:G/F OVER ALL(LEAD FREE)
- C:15u" GOLD ON CONTACT  
N:MATT TIN(LEAD FREE)  
T:10u" GOLD ON CONTACT  
B:5u" GOLD ON CONTACT AREA  
AND 1u" MIN GOLD ON SOLDER AREA  
M:3u" GOLD ON CONTACT AND SOLDER  
S:15u" GOLD ON CONTACT AREA  
AND 1u" MIN GOLD ON SOLDER AREA  
D:30u" GOLD ON CONTACT AREA  
AND GOLD FLASH ON SOLDER AREA

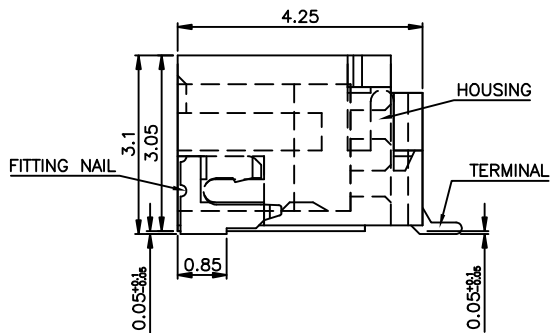
HOUSING MATERIAL&COLOR	HALOGEN FREE	PACKAGE	Others
LCP&BLACK	HF	87213-XXXX-TRP	001
PA46&NATURAL	HF	87213-XXXX-TRP	002
LCP&BLACK	HF	87213-XXXX-U-TRP	003
LCP&NATURAL	HF	87213-XXXX-TRP	004
PA46&NATURAL	HF	50224-XXXX-05-TRP	005
PA46&NATURAL	HF	87213-XXXX-04-TRP	006
LCP&BLACK	HF	87213-XXXX-U-TRP	S01
PA46&NATURAL	HF	87213-XXXX-U-TRP	S02
LCP&BLACK	HF	87213-XXXX-U5-TRP	AT1

CKT	Dim.A	Dim.B	DIM.C	Dim.D
2	1.0	2.4	4.0	
3	2.0	3.4	5.0	
4	3.0	4.4	6.0	
5	4.0	5.4	7.0	
6	5.0	6.4	8.0	
7	6.0	7.4	9.0	0.15
8	7.0	8.4	10.0	
9	8.0	9.4	11.0	
10	9.0	10.4	12.0	
11	10.0	11.4	13.0	
12	11.0	12.4	14.0	
13	12.0	13.4	15.0	
14	13.0	14.4	16.0	
15	14.0	15.4	17.0	
16	15.0	16.4	18.0	
17	16.0	17.4	19.0	
18	17.0	18.4	20.0	0.08
19	18.0	19.4	21.0	
20	19.0	20.4	22.0	
22	21.0	22.4	24.0	
24	23.0	24.4	26.0	
26	25.0	26.4	28.0	
28	27.0	28.4	30.0	

QUALITY SYMBOLS	DRAWN BY	DATE	
MAJOR CRITICAL	Sun,Ya Jie	23/07/31	
GENERAL TOLERANCES (UNLESS SPECIFIED)	CHECKED BY	DATE	TITLE
	Xu,Zhi Yong	23/07/31	
X. $\pm 0.5$ .X $\pm 0.25$ .XX $\pm 0.15$ .XXX $\pm 0.1$ ANGLES $\pm 2'$	APPROVED BY	DATE	SIZE
	Xu,Zhi Yong	23/07/31	A4
UNITS	mm	SCALE	2 : 1
SHEET NO.	11 OF 3	REV	AC
RFO NO.	N/A	DWG NO.	50224-XXXX-XXX



RECOMMENDED PCB LAYOUT  
GENERAL TOLERANCE  $\pm 0.05$   
(TOP VIEW)



P/N LEGEND

50224-XXX X X - XXX

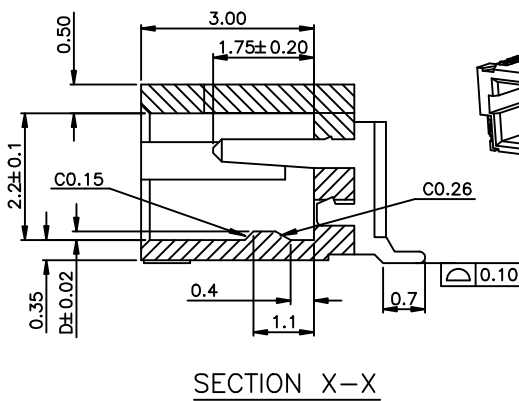
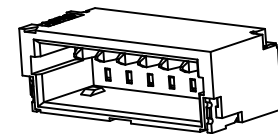
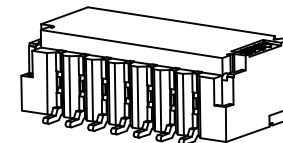
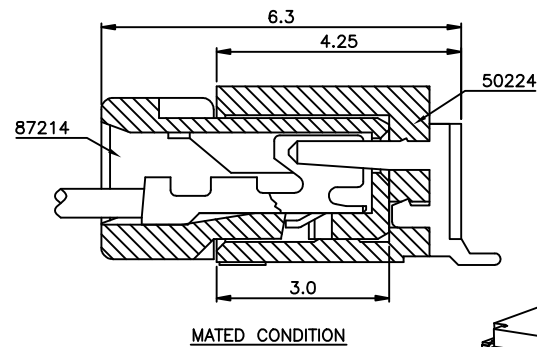
NO OF CKT \_\_\_\_\_

PACKING \_\_\_\_\_

0:TAPE & REEL

PLATING \_\_\_\_\_

1:G/F OVER ALL(LEAD FREE)

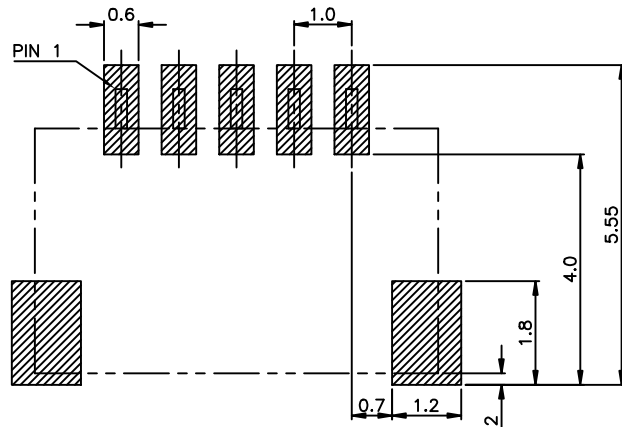
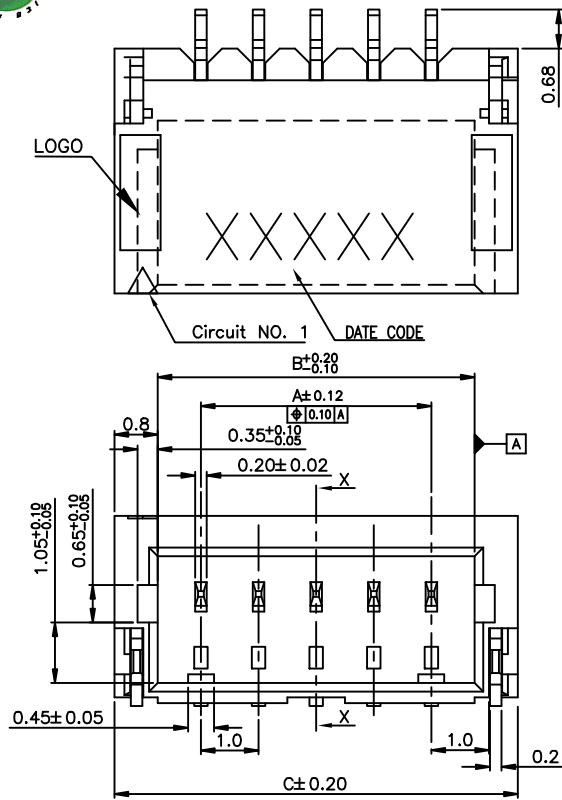


- NOTES:
- MATERIAL:
    - HOUSING: HALOGEN FREE PLASTIC, HIGH TEMP.,UL94V-0.
    - CONTACT: COPPER ALLOY
    - FITTING NAIL: COPPER ALLOY
  - FINISH:
    - CONTACT: 50~100u" NICKEL UNDERPLATING OVERALL.  
1:GOLD FLASH PLATING(1~3u") OVERALL.
    - FITTING NAIL: 50~100u" NICKEL UNDERPLATING OVERALL.  
1:GOLD FLASH PLATING OVERALL.
  - REFLOW SOLDER CAPABLE TO 260°C PER ACES SPEC.
  - SPEC. PLS. REFER TO PS-50224-xxxxx-xxx
  - PACKAGE PLS. REFER TO 87213-XXXX-xxx-TRP
  - PART NUMBER

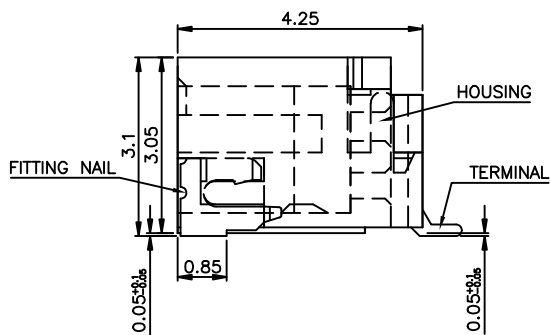
Others	HOUSING COLOR	HALOGEN FREE	PACKAGE
007	BLACK	HF	87213-XXXX-TRP

CKT	Dim A	Dim B	DimC	Dim D
7	6.0	7.4	9.0	0.15

QUALITY SYMBOLS	DRAWN BY	DATE	ACES ELECTRONICS	
MAJOR	Sun,Ya Jie	23'/07/31	1.0mm WTB CONN.SMT R/A S/R TYPE	
CRITICAL				
GENERAL TOLERANCES (UNLESS SPECIFIED)	CHECKED BY	DATE	TITLE	
	Xu,Zhi Yong	23'/07/31		
X. $\pm 0.5$ .X $\pm 0.25$ .XX $\pm 0.15$ .XXX $\pm 0.1$ ANGLES $\pm 2'$	APPROVED BY	DATE	REV	
	Xu,Zhi Yong	23'/07/31		
UNITS	mm	SIZE	A4	RFQ NO.
SCALE	2 : 1	SHEET NO.	3	DWG NO.
			AC	50224-XXXXX-XXX



RECOMMENDED PCB LAYOUT  
GENERAL TOLERANCE  $\pm 0.05$   
(TOP VIEW)

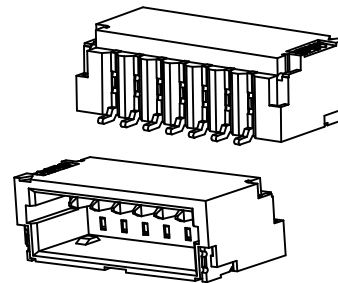
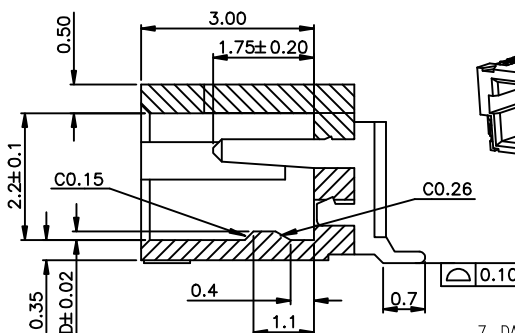
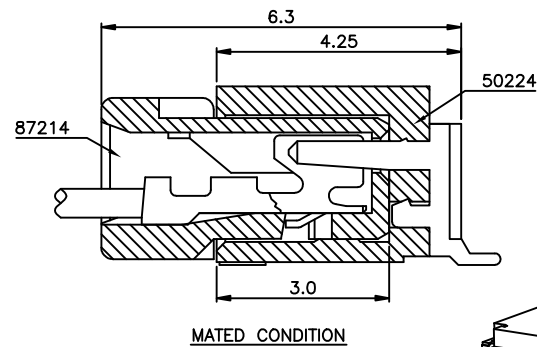


P/N LEGEND

50224-XXX X X - XXX

- NO OF CKT
- PACKING
- 0:TAPE & REEL
- PLATING
- 1:G/F OVER ALL(LEAD FREE)

Others	HOUSING COLOR	HALOGEN FREE	PACKAGE
008	BLACK	HF	87213-XXXX-TRP



7. DATE CODE

0 A 08 1

年份代碼:0=2010年(1.2...9.)

2020年代碼:A(後面依次B,C,D...)

月份代碼:A(1月),B(2月)...

日期代碼:8=08號

班別代碼:

1:白班班別

3:夜班班別

- NOTES:
- MATERIAL:
    - HOUSING: HALOGEN FREE PLASTIC, HIGH TEMP.,UL94V-0.
    - CONTACT: COPPER ALLOY
    - FITTING NAIL: COPPER ALLOY
  - FINISH:
    - CONTACT: 50~100u" NICKEL UNDERPLATING OVERALL.  
1:GOLD FLASH PLATING(1~3u") OVERALL.
    - FITTING NAIL: 50~100u" NICKEL UNDERPLATING OVERALL.  
1:GOLD FLASH PLATING OVERALL.
  - REFLOW SOLDER CAPABLE TO 260°C PER ACES SPEC.
  - SPEC. PLS. REFER TO PS-50224-xxxxx-xxx
  - PACKAGE PLS. REFER TO 87213-XXXX-xxx-TRP
  - PART NUMBER

CKT	Dim A	Dim B	DimC	Dim D
5	4.0	5.4	7.0	0.15

QUALITY SYMBOLS	MAJOR	CRITICAL	GENERAL TOLERANCES (UNLESS SPECIFIED)	UNITS	SCALE	SHEET NO.	DATE	DATE	DATE	DATE	TITLE	SIZE	RFQ NO.	DWG NO.
			X. $\pm 0.5$ .X $\pm 0.25$ .XX $\pm 0.15$ .XXX $\pm 0.1$ ANGLES $\pm 2'$	mm	2 : 1	13 OF 3	Sun,Ya Jie	23'/07/31	Xu,Zhi Yong	23'/07/31	Xu,Zhi Yong	A4		50224-XXXXX-XXX
											ACES ELECTRONICS			
											1.0mm WTB CONN.SMT R/A S/R TYPE			